

Catalog Number Description

Number Segment	Character	Description	D	3	2	1	N	RB	—
Type of Switch	Fusible	L=Light duty							
		D=General duty							
		H=Heavy duty							
	Non-Fusible	DT=Double throw							
		DU=General duty							
		HU=Heavy duty							
Blades—Switchable Poles		DTU=Double throw							
	1	1 pole							
	2	2 poles							
	3	3 poles							
	4	4 poles							
Voltage Rating ¹	6	6 poles							
	1	120 Vac (plug fuse)							
	2	240 Vac							
Ampere Rating	6	600 Vac							
	1	30 A							
	2	60 A							
	3	100 A							
	4	200 A							
	5	400 A							
	6	600 A							
	7	800 A							
8	1200 A								
Neutral	N	Factory-installed neutral (neutrals are field-installed on most general duty, heavy duty, and double throw safety switches).							
Enclosure	No suffix	NEMA Type 1							
	A	NEMA Type 12K							
	AWK	NEMA Type 12 (without K.O.)							
	DF	NEMA Type 4X Fiberglass reinforced polyester							
	DS	NEMA Types 4, 4X, and 5 (Type 304 stainless steel)							
	DX	NEMA Type 4X Krydon®							
	R	NEMA Type 3R							
	RB	NEMA Type 3R (bolt-on hub provision)							
	SS	NEMA Types 4, 4X, and 5 (Type 316 stainless steel)							
Factory Modifications	CLR	Class R fuse kit							
	EI or EI2	Electrical interlock kit							
	GL	Equipment ground lugs							
	GLC	Equipment ground lug, copper only							
	KI, KI2 or KIKI	1 or 2 Key interlocks							
	LK	Compression lugs (800 and 1200 A only)							
	NP	Phenolic legend plate							
	PB	Push buttons, pilot lights, selector switches. Customer must provide catalog number of control device to be installed							
	SLC	Copper lugs (30–600 A)							
	SP	Special paint colors							
	SPLO	Lock-on provision							
	VW	Viewing window							
	WA	Appleton interlocked receptacle							
	WC	Crouse-Hinds Arktime® interlocked receptacle							
WH	Hubbellock™ interlocked receptacle								

¹ For dc ratings, see the latest catalog listing.

Table 14: Accessories for Current Series Heavy Duty Safety Switches

Catalog Number	Series	Electrical Interlock (1 Contact)	Electrical Interlocks (2 Contacts)	Class R Kits	Solid Neutral (Al/Cu)	Solid Neutral (Cu Only)	Grounding Kit (Al)	Grounding Kit (Cu)	Fuse Puller	Receptacle Plugs
H100XFA H221A H221AWK H221DS	E1 F6 F6 F6	N/A EIK031 EIK031 EK3001	N/A EIK032 EIK032 EK3002	N/A RFK03L RFK03L HRK30	100SN SN03 SN03 H60SN	N/A SN03C SN03C H60SNC	Std. GTK03 GTK03 PK3GTA1	Std. GTK03C GTK03C PK06GTC1	N/A Std. Std. Std.	N/A N/A N/A N/A
H221N H221NRB H222A H222AWK	F5 F5 F6 F6	EIK031 EIK031 EIK031 EIK031	EIK032 EIK032 EIK032 EIK032	RFK03L RFK03L RFK03L RFK03L	Std. Std. SN03 SN03	SN03C SN03C SN03C SN03C	GTK03 GTK03 GTK03 GTK03	GTK03C GTK03C GTK03C GTK03C	FPK03 FPK03 Std. Std.	N/A N/A N/A N/A
H222DS H222N H222NRB H223A	F6 F5 F5 F6	EIK3061 EIK031 EIK031 EIK1	EIK3062 EIK032 EIK032 EIK2	HRK60 RFK03L RFK03L RFK10	H60SN Std. Std. SN0610	H60SNC SN03C SN03C SN0610C	PK3GTA1 GTK03 GTK03 GTK0610	PK0GTC1 GTK03C GTK03C GTK0610C	Std. FPK03 FPK03 Std.	N/A N/A N/A N/A
H223AWK H223DS H223N H223NRB	F6 F6 F5 F5	EIK1 EIK10201 EIK1 EIK1	EIK2 EIK10202 EIK2 EIK2	RFK10 HRK1020 RFK10 RFK10	SN0610 H100SN Std. Std.	SN0610C SN0610C SN0610C SN0610C	GTK0610 PK0GTA2 GTK0610 GTK0610	GTK0610C PK0GTA2 GTK0610C GTK0610C	Std. Std. FPK0610 FPK0610	N/A N/A N/A N/A
H224A H224AWK H224DS H224N	F6 F6 F6 F5	EIK10201 EIK10201 EIK10201 EIK10201	EIK10202 EIK10202 EIK10202 EIK10202	HRK1020 HRK1020 HRK1020 HRK1020	H200SN H200SN H200SN Std.	H200SNC H200SNC H200SNC H200SNC	PK0GTA2 PK0GTA2 PK0GTA2 PK0GTA2	PK0GTC2 PK0GTC3 PK0GTC3 PK0GTC3	N/A N/A N/A N/A	N/A N/A N/A N/A
H224NRB H225 H225AWK H225DS	F5 E4 E4 E2	EIK10201 EIK40601 EIK40601 EIK40601	EIK10202 EIK40602 EIK40602 EIK40602	HRK1020 HRK4060 HRK4060 HRK4060	Std. H600SN H600SN H600SN	H200SNC H600SNC H600SNC H600SNC	PK0GTA2 PK0GTA2 PK0GTA2 PK0GTA2	PK0GTC3 PK0GTC2 PK0GTC2 PK0GTC3	N/A N/A N/A N/A	N/A N/A N/A N/A
H225N H225NAWK H225NDS H225NR	E4 E4 E4 E4	EIK40601 EIK40601 EIK40601 EIK40601	EIK40602 EIK40602 EIK40602 EIK40602	HRK4060 HRK4060 HRK4060 HRK4060	Std. H600SN H600SN Std.	H600SNC Std. Std. H600SNC	PK0GTA2 PK0GTA2 PK0GTA2 PK0GTA2	PK0GTC3 N/A PK0GTC3 PK0GTC3	N/A N/A N/A N/A	N/A N/A N/A N/A
H225R H225XKA H226 H226AWK	E4 C2 E4 E4	EIK40601 N/A EIK40601 EIK40601	EIK40602 N/A EIK40602 EIK40602	HRK4060 N/A HRK4060 HRK4060	H600SN 225SNA H600SN H600SN	H600SNC N/A H600SNC H600SNC	PK0GTA2 Std. PK0GTA2 PK0GTA2	PK0GTC3 PK0GTC3 PK0GTC3 PK0GTC3	N/A N/A N/A N/A	N/A N/A N/A N/A
H226DS H226N H226AWK H226NDS	E4 E4 E4 E4	EIK40601 EIK40601 EIK40601 EIK40601	EIK40602 EIK40602 EIK40602 EIK40602	HRK4060 HRK4060 HRK4060 HRK4060	H600SN Std. H600SN H600SN	H600SNC H600SNC N/A N/A	PK0GTA2 PK0GTA2 PK0GTA2 PK0GTA2	PK0GTC3 PK0GTC3 N/A N/A	N/A N/A N/A N/A	N/A N/A N/A N/A
H226NR H226R H227 H227AWK	E4 E4 E4 E4	EIK40601 EIK40601 EIK40601 EIK40601	EIK40602 EIK40602 EIK40602 EIK40602	HRK4060 HRK4060 N/A N/A	Std. H600SN H800SNE4 H800SNE4	H600SNC H600SNC N/A N/A	PK0GTA2 PK0GTA2 PK0GTA7 PK0GTA7	N/A N/A N/A N/A	N/A N/A N/A N/A	N/A N/A N/A N/A
H227N H227NAWK H227NR H227R	E4 E4 E4 E4	EIK40601 EIK40601 EIK40601 EIK40601	EIK40602 EIK40602 EIK40602 EIK40602	N/A N/A N/A N/A	Std. Std. Std. H800SNE4	N/A N/A N/A N/A	PK0GTA7 PK0GTA7 PK0GTA7 PK0GTA7	N/A N/A N/A N/A	N/A N/A N/A N/A	N/A N/A N/A N/A
H228 H228AWK H228N H228NAWK	E4 E4 E4 E4	EIK40601 EIK40601 EIK40601 EIK40601	EIK40602 EIK40602 EIK40602 EIK40602	N/A N/A N/A N/A	H1200SNE4 H1200SNE4 Std. Std.	N/A Std. N/A N/A	PK0GTA8 PK0GTA8 PK0GTA8 PK0GTA8	N/A N/A N/A N/A	N/A N/A N/A N/A	N/A N/A N/A N/A
H228NR H228R H265 H265AWK	E4 E4 E4 E4	EIK40601 EIK40601 EIK40601 EIK40601	EIK40602 EIK40602 EIK40602 EIK40602	N/A N/A HRK4060 HRK4060	Std. H1200SNE4 H600SN H600SN	N/A N/A H600SNC H600SNC	PK0GTA8 PK0GTA8 PK0GTA2 PK0GTA2	N/A N/A PK0GTC3 PK0GTC3	N/A N/A N/A N/A	N/A N/A N/A N/A
H265DS H265R H266 H266A	E4 E4 E4 E4	EIK40601 EIK40601 EIK40601 EIK40601	EIK40602 EIK40602 EIK40602 EIK40602	HRK4060 HRK4060 HRK4060 HRK4060	H600SN H600SN H600SN H600SN	H600SNC H600SNC H600SNC H600SNC	PK0GTA2 PK0GTA2 PK0GTA2 PK0GTA2	PK0GTC3 PK0GTC3 PK0GTC3 PK0GTC3	N/A N/A N/A N/A	N/A N/A N/A N/A
H266AWK H266DS H266R H267	E4 E4 E4 E4	EIK40601 EIK40601 EIK40601 EIK40601	EIK40602 EIK40602 EIK40602 EIK40602	HRK4060 HRK4060 HRK4060 Std.	H600SN H600SN H600SN H800SNE4	H600SNC H600SNC H600SNC N/A	PK0GTA2 PK0GTA2 PK0GTA2 PK0GTA7	PK0GTC3 PK0GTC3 PK0GTC3 N/A	N/A N/A N/A N/A	N/A N/A N/A N/A
H267AWK H267NAWK H267R H268	E4 E4 E4 E4	EIK40601 EIK40601 EIK40601 EIK40601	EIK40602 EIK40602 EIK40602 EIK40602	N/A N/A N/A N/A	H800SNE4 H800SNE4 Std. H1200SNE4	N/A N/A N/A N/A	PK0GTA7 PK0GTA7 PK0GTA7 PK0GTA7	N/A N/A N/A N/A	N/A N/A N/A N/A	N/A N/A N/A N/A
H268AWK H268NAWK H268R H321A	E4 E4 E4 F6	EIK40601 EIK40601 EIK40601 EIK031	EIK40602 EIK40602 EIK40602 EIK032	N/A N/A N/A RFK03L	H1200SNE4 Std. H1200SNE4 SN03	N/A N/A N/A SN03C	PK0GTA7 PK0GTA7 PK0GTA7 GTK03	N/A N/A N/A GTK03C	N/A N/A N/A Std.	N/A N/A N/A N/A
H321AWK H321DS H321N H321NRB	F6 F6 F5 F5	EIK031 EIK3001 EIK031 EIK031	EIK032 EIK3002 EIK032 EIK032	RFK03L HRK30 RFK03L RFK03L	SN03 H60SN Std. Std.	SN03C H60SNC SN03C SN03C	GTK03 PK3GTA1 GTK03 GTK03	GTK03C PK0GTC1 GTK03C GTK03C	Std. Std. FPK03 FPK03	N/A N/A N/A N/A

Continued on next page

Heavy Duty Safety Switches

General Information

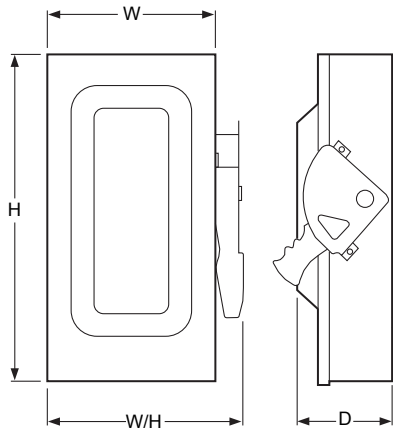
Table 19: 60 A Heavy Duty Ratings

Catalog Number	Series	120 Vac		240 Vac				480 Vac				600 Vac				Vdc			240 Vac		480 Vac		600 Vac	
		Std.	Max.	Std.		Max.		Std.		Max.		Std.		Max.		Max. hp Ratings			Std.	Max.	Std.	Max.	Std.	Max.
		1Ø	1Ø	1Ø	3Ø	1Ø	3Ø	1Ø	3Ø	1Ø	3Ø	1Ø	3Ø	1Ø	3Ø	125	250	600	2Ø	2Ø	2Ø	2Ø	2Ø	2Ø
H222DS	F6	—	—	3	—	10 ¹	—	—	—	—	—	—	—	—	—	10	—	—	—	—	—	—	—	—
H222A	F6	1-1/2	3	3 ¹	7-1/2 ²	10 ¹	15 ²	—	—	—	—	—	—	—	5 ³	10 ³	—	—	—	—	—	—	—	—
H222AWK	F6	1-1/2	3	3 ¹	7-1/2 ²	10 ¹	15 ²	—	—	—	—	—	—	—	5 ³	10 ³	—	—	—	—	—	—	—	—
H222N	F5	1-1/2	3	3 ¹	7-1/2 ²	10 ¹	15 ²	—	—	—	—	—	—	—	5 ³	10 ³	—	—	—	—	—	—	—	—
H222NRB	F5	1-1/2	3	3 ¹	7-1/2 ²	10 ¹	15 ²	—	—	—	—	—	—	—	5 ³	10 ³	—	—	—	—	—	—	—	—
H322DS	F6	—	—	—	7-1/2 ²	—	15 ²	—	—	—	—	—	—	—	—	10	—	—	—	—	—	—	—	—
H322A	F6	1-1/2	3	3 ¹	7-1/2 ²	10 ¹	15 ²	—	—	—	—	—	—	—	5 ³	10 ³	—	—	—	—	—	—	—	—
H322AWK	F6	1-1/2	3	3 ¹	7-1/2 ²	10 ¹	15 ²	—	—	—	—	—	—	—	5 ³	10 ³	—	—	—	—	—	—	—	—
H322N	F5	1-1/2	3	3 ¹	7-1/2 ²	10 ¹	15 ²	—	—	—	—	—	—	—	5 ³	10 ³	—	—	—	—	—	—	—	—
H322NRB	F5	1-1/2	3	3 ¹	7-1/2 ²	10 ¹	15 ²	—	—	—	—	—	—	—	5 ³	10 ³	—	—	—	—	—	—	—	—
H362	F5	—	—	—	—	—	—	5 ¹	15 ²	20 ¹	30 ²	—	15	—	50	—	—	30	—	—	—	—	—	—
H362RB	F5	—	—	—	—	—	—	5 ¹	15 ²	20 ¹	30 ²	—	15	—	50	—	—	30	—	—	—	—	—	—
H362DS	F6	—	—	—	—	—	—	—	—	—	30	—	15	—	50	—	—	30	—	—	—	—	—	—
H362A	F6	—	—	—	—	—	—	5 ¹	15 ²	20 ¹	30 ²	—	15	—	50	—	—	30	—	—	—	—	—	—
H362AWK	F6	—	—	—	—	—	—	5 ¹	15 ²	20 ¹	30 ²	—	15	—	50	—	—	30	—	—	—	—	—	—
H362N	F5	—	—	—	—	—	—	5 ¹	15 ²	20 ¹	30 ²	—	15	—	50	—	—	30	—	—	—	—	—	—
H362NRB	F5	—	—	—	—	—	—	5 ¹	15 ²	20 ¹	30 ²	—	15	—	50	—	—	30	—	—	—	—	—	—
H462	F5	—	—	—	7-1/2	—	15	—	15	—	30	—	15	—	50	5	10	30	7-1/2	20	15	40	20	50
H462DS	F6	—	—	—	—	—	—	—	15	—	40	—	20	—	50	—	—	—	—	—	—	—	—	—
H462AWK	F6	—	—	—	7-1/2	—	15	—	15	—	30	—	15	—	50	5	10	30	7-1/2	20	15	40	20	50
HU362	F5	—	5	—	—	10 ¹	20 ⁴	—	—	25 ¹	50 ^{2 5}	—	—	30 ¹	60 ⁶	5	10	30	—	—	—	—	—	—
HU362RB	F5	—	5	—	—	10 ¹	20 ⁴	—	—	25 ¹	50 ^{2 5}	—	—	30 ¹	60 ⁶	5	10	30	—	—	—	—	—	—
HU362DS	F6	—	5	—	—	10 ¹	20	—	—	20 ⁴	50 ⁶	—	—	25 ¹	60 ⁶	5	10	30	—	—	—	—	—	—
HU362A	F6	—	5	—	—	10 ¹	20 ⁴	—	—	25 ¹	50 ^{2 5}	—	—	30 ¹	60 ⁶	5	10	30	—	—	—	—	—	—
HU362AWK	F6	—	5	—	—	10 ¹	20 ⁴	—	—	25 ¹	50 ^{2 5}	—	—	30 ¹	60 ⁶	5	10	30	—	—	—	—	—	—
HU462	F5	—	—	—	—	—	20	—	—	—	50	—	—	—	60	5	10	30	—	20	—	40	—	50
HU462DS	F6	—	—	—	—	—	20	—	—	—	50	—	—	—	60	5	10	30	—	20	—	40	—	50
HU462AWK	F6	—	—	—	—	—	20	—	—	—	50	—	—	—	60	5	10	30	—	20	—	40	—	50
HU662DS	F6	—	—	—	20	—	—	—	50	—	—	—	60	—	—	—	—	—	—	—	—	—	—	—
HU662AWK	F6	—	—	—	20	—	—	—	50	—	—	—	60	—	—	—	—	—	—	—	—	—	—	—

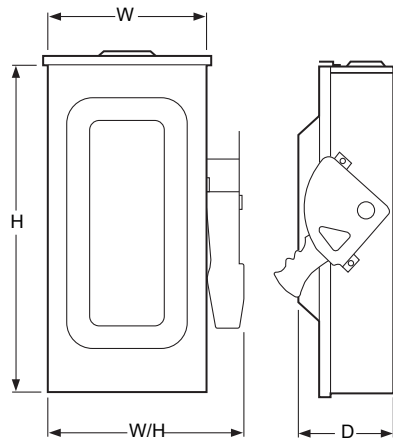
- ¹ Use both outer switching poles.
- ² For corner grounded delta only, install neutral and use switching poles for ungrounded conductors.
- ³ Standard hp rating.
- ⁴ 15 hp maximum on a corner grounded delta system.
- ⁵ 30 hp maximum on a corner grounded delta system.
- ⁶ Use 75°C N.O. 4 Cu or N.O. 2 Al conductors.

Heavy Duty Safety Switches

General Information



Typical NEMA Type 1



Typical NEMA Type 3R

Table 28: Dimensions

Catalog Number	Series	Approximate Dimensions							
		H		W		W/H		D	
		in.	mm	in.	mm	in.	mm	in.	mm
H221N	F5	14.60	371	6.50	165	7.55	192	4.88	124
H221NRB		14.88	378	6.63	168	7.55	192	4.88	124
H222N		14.60	371	6.50	165	7.55	192	4.88	124
H222NRB		14.88	378	6.63	168	7.55	192	4.88	124
H223N	F5	21.25	540	8.50	216	10.50	267	6.38	162
H223NRB		21.25	540	8.50	216	10.50	267	6.38	162
H224N		29.00	737	17.13	435	18.50	470	8.25	210
H224NRB		29.25	743	17.25	438	18.63	473	8.50	216
H225, N	E4	50.25	1276	27.63	702	27.63	702	10.13	257
H225NR, R		50.31	1278	27.88	708	27.88	708	10.13	257
H226, N		50.25	1276	27.63	702	27.63	702	10.13	257
H226NR, R		50.31	1278	27.88	708	27.88	708	10.13	257
H227, N	E4	69.13	1756	36.62	930	36.62	930	17.75	451
H227NR, R		69.13	1756	36.62	930	36.62	930	17.75	451
H228, N		69.13	1756	36.62	930	36.62	930	17.75	451
H228NR, R		69.13	1756	36.62	930	36.62	930	17.75	451
H265	E4	50.25	1276	27.63	702	27.63	702	10.13	257
H265R		50.31	1278	27.88	708	27.88	708	10.13	257
H266		50.25	1276	27.63	702	27.63	702	10.13	257
H266R		50.31	1278	27.88	708	27.88	708	10.13	257
H267	E4	69.13	1756	36.62	930	36.62	930	17.75	451
H267R		69.13	1756	36.62	930	36.62	930	17.75	451
H268		69.13	1756	36.62	930	36.62	930	17.75	451
H268R		69.13	1756	36.62	930	36.62	930	17.75	451
H321N	F5	14.60	371	6.50	165	7.55	192	4.88	124
H321NRB		14.88	378	6.63	168	7.55	192	4.88	124
H322N		14.60	371	6.50	165	7.55	192	4.88	124
H322NRB		14.88	378	6.63	168	7.55	192	4.88	124
H323N	F5	21.25	540	8.50	216	10.50	267	6.38	162
H323NRB		21.25	540	8.50	216	10.50	267	6.38	162
H324N		29.00	737	17.13	435	18.50	470	8.25	210
H324NRB		29.25	743	17.25	438	18.63	473	8.50	216
H325, N	E4	50.25	1276	27.63	702	27.63	702	10.13	257
H325R, NR		50.31	1278	27.88	708	27.88	708	10.13	257
H326, N		50.25	1276	27.63	702	27.63	702	10.13	257
H326R, NR		50.31	1278	27.88	708	27.88	708	10.13	257
H327, N	E4	69.13	1756	36.62	930	36.62	930	17.75	451
H327R, NR		69.13	1756	36.62	930	36.62	930	17.75	451
H328, N		69.13	1756	36.62	930	36.62	930	17.75	451
H328R, NR		69.13	1756	36.62	930	36.62	930	17.75	451
H361, N	F5	14.60	371	6.50	165	7.55	192	4.88	124
H361-2		17.50	445	9.00	229	10.50	267	6.38	162
H361NRB, RB		14.88	378	6.63	168	7.55	192	4.88	124
H361WA	F6	18.19	462	9.00	229	10.50	267	6.81	173
H361WC		18.19	462	9.00	229	10.50	267	6.81	173
H362, N	F5	17.50	445	9.00	229	10.50	267	6.38	162
H362NRB, RB		17.50	445	9.00	229	10.50	267	6.38	162
H362WA	F6	18.19	462	9.00	229	10.50	267	6.81	173
H362WC		16.75	425	9.00	229	10.50	267	7.00	178
H362WH	F5	18.19	462	9.00	229	10.50	267	6.81	173
H363, N		21.25	540	8.50	216	10.50	267	6.38	162
H363NRB, RB		21.25	540	8.50	216	10.50	267	6.38	162
H363WA	F6	21.85	462	9.00	229	10.50	267	6.81	173
H363WC		21.85	555	9.00	229	10.50	267	6.81	173